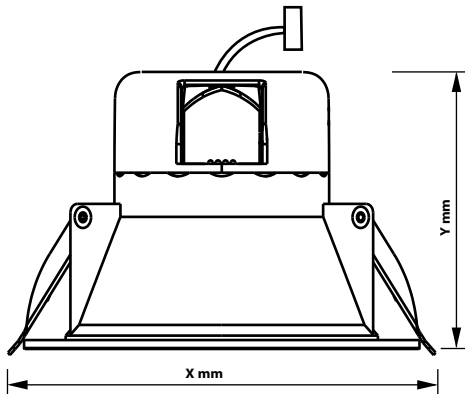


LED Dimmable Downlights

Installation and Operation Manual



The installation, maintenance and inspection must be carried out by qualified electrician for safety reasons.

Ceiling installation only.

75mm space must be left around the product for ventilation. There should be no cover on the light at any time.

Specifications

Part number	M2DL5D	M3DL8D	M35DL10D
Dimensions	83x60mm	102x61mm	116x62mm
Rated voltage	~220-240V		
Frequency	50/60Hz		
Power Output	5w	8w	10w
Colour	3000/4000k	3000/4000k	3000/4000k
Lumens	440/470lm	740/780lm	950/990lm
IP Rating	IP44		
Beam Angle	100°		
Cut Out	60mm	80mm	100mm
Working Hours	30000h		
CRI	>80		

Installation

1. Turn off the power.
 2. Drill a suitable mounting hole in the ceiling according to the size requirements.
 3. Connect the mains cable to the correct terminal. Live = Brown, Neutral = Blue on the contact block.
 4. When correctly connected replace cable cover. Please make sure all screw terminals are tightly fixed.
 5. Once connected, pull the springs to the top of the fitting and slide through the hole you have cutout.
- The springs will automatically close and grip the surface and your light will be fitted. Please note, if the light does not sit flush, please check around the edges for debris, and remove the debris from the surrounding area.
8. Double-check everything is well-connected and turn the power on.

